

## Modular Cooking Range Line thermaline 80 - 4 Zone Freestanding Electric Solid Top, 1 Side, H=700

ITEM # \_\_\_\_\_

MODEL # \_\_\_\_\_

NAME # \_\_\_\_\_

SIS # \_\_\_\_\_

AIA # \_\_\_\_\_



**588344 (MALCEAHDAO)** Electric Solid Top, 4 zones,  
 one-side operated

### Short Form Specification

#### Item No.

Unit constructed according to DIN 18860\_2 with 20 mm drop nose top and 70 mm recessed plinth. Internal frame for heavy duty sturdiness in stainless steel. 2 mm top in 1.4301 (AISI 304). Flat surface construction, easily cleanable. THERMODUL connection system enables seamless worktop when units are connected and avoids soil penetrating. Solid top made of smooth, pore-free, steel. 4 independently controlled heating zones with 2 electronic sensors per zone for temperature surface control and 8 power levels. Rapid plate heat up, continuously ready to use. Overheat protection switches off the supply in case of overheating. Standby function saves energy and quickly recovers maximum power. Metal knobs with embedded hygienic silicon "soft" grip enable easier handling and cleaning. IPX5 water resistance certification.

Configuration: Freestanding, one-side operated.

### Main Features

- 4 heating zones independently controlled.
- Rapid heat up of the plate and continuously ready for use.
- Overheat protection: the temperature sensor switches off the supply in case of overheating.
- Pans can easily be moved from one area to another without lifting.
- Solid top cooking surface made of 20 mm thick steel, DIN 1.7335, smooth pore-free and easy to clean.
- Wide rounded cleaning zone around the plates for easier cleaning.
- All major components may be easily accessed from the front.
- THERMODUL connection system creates a seamless work top when units are connected to each other thus avoiding soil penetrating vital components and facilitating the removal of units in case of replacement or service.
- Metal knobs with embedded hygienic "soft-touch" grip for easier handling and cleaning. The special design of the controls prevents infiltration of liquids or soil into vital components.
- Large visible digital display manufactured in tempered glass to resist heat and chemicals, showing temperatures or power settings. The display also shows on/off status of the appliance and on/off status of the heating elements.
- Cooking plate and base joint profile guarantee against soil infiltration.
- Two electronic sensors per zone to control surface temperature and to protect cooking plate from overheating.
- 8 power levels.

### Construction

- 2 mm top in 1.4301 (AISI 304).
- Unit constructed according to DIN 18860\_2 with 20 mm drop nose top and 70 mm recessed plinth.
- Flat surface construction with minimal hidden areas to easily clean all surfaces
- Unit constructed according to DIN 18860\_2 with 20 mm drop nose top.
- IPX5 water resistance certification.
- Internal frame for heavy duty sturdiness in stainless steel.

### Sustainability

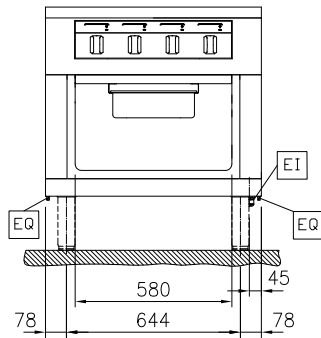
- Standby function for energy saving and fast recovery of maximum power.

APPROVAL: \_\_\_\_\_

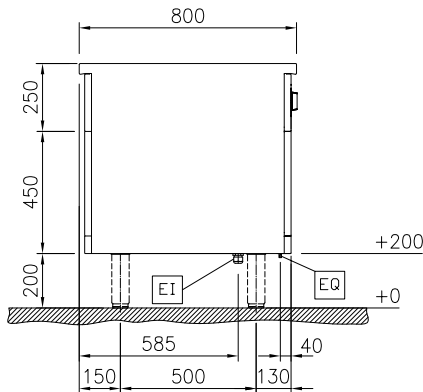
### Optional Accessories

- |                                                                                                                                                              |            |                          |                                                                                                                                                                                                                                                                                 |            |                          |
|--------------------------------------------------------------------------------------------------------------------------------------------------------------|------------|--------------------------|---------------------------------------------------------------------------------------------------------------------------------------------------------------------------------------------------------------------------------------------------------------------------------|------------|--------------------------|
| • Connecting rail kit, 800mm                                                                                                                                 | PNC 912500 | <input type="checkbox"/> | • Side reinforced panel only in combination with side shelf, for back-to-back installations, left                                                                                                                                                                               | PNC 913271 | <input type="checkbox"/> |
| • Stainless steel side panel, 800x700mm, freestanding                                                                                                        | PNC 912509 | <input type="checkbox"/> | • Side reinforced panel only in combination with side shelf, for back-to-back installation, right                                                                                                                                                                               | PNC 913272 | <input type="checkbox"/> |
| • Portioning shelf, 800mm width                                                                                                                              | PNC 912526 | <input type="checkbox"/> | • Shelf fixation for TL80-85-90 one-side operated, TL80 two-side operated                                                                                                                                                                                                       | PNC 913281 | <input type="checkbox"/> |
| • Portioning shelf, 800mm width                                                                                                                              | PNC 912556 | <input type="checkbox"/> | • Filter W=800mm                                                                                                                                                                                                                                                                | PNC 913665 | <input type="checkbox"/> |
| • Folding shelf, 300x800mm                                                                                                                                   | PNC 912577 | <input type="checkbox"/> | • Stainless steel dividing panel, 800x700mm, (it should only be used between Electrolux Professional thermaline Modular 80 and thermaline C80)                                                                                                                                  | PNC 913668 | <input type="checkbox"/> |
| • Folding shelf, 400x800mm                                                                                                                                   | PNC 912578 | <input type="checkbox"/> | • Stainless steel side panel, 800x700mm, flush-fitting (it should only be used against the wall, against a niche and in between Electrolux Professional thermaline and ProThermetic appliances and external appliances - provided that these have at least the same dimensions) | PNC 913684 | <input type="checkbox"/> |
| • Fixed side shelf, 200x800mm                                                                                                                                | PNC 912583 | <input type="checkbox"/> |                                                                                                                                                                                                                                                                                 |            |                          |
| • Fixed side shelf, 300x800mm                                                                                                                                | PNC 912584 | <input type="checkbox"/> |                                                                                                                                                                                                                                                                                 |            |                          |
| • Fixed side shelf, 400x800mm                                                                                                                                | PNC 912585 | <input type="checkbox"/> |                                                                                                                                                                                                                                                                                 |            |                          |
| • Stainless steel front kicking strip, 800mm width                                                                                                           | PNC 912634 | <input type="checkbox"/> |                                                                                                                                                                                                                                                                                 |            |                          |
| • Stainless steel side kicking strip left and right, freestanding, 800mm width                                                                               | PNC 912655 | <input type="checkbox"/> |                                                                                                                                                                                                                                                                                 |            |                          |
| • Stainless steel side kicking strip left and right, back-to-back, 1610mm width                                                                              | PNC 912661 | <input type="checkbox"/> |                                                                                                                                                                                                                                                                                 |            |                          |
| • Stainless steel plinth, freestanding, 800mm width                                                                                                          | PNC 912863 | <input type="checkbox"/> |                                                                                                                                                                                                                                                                                 |            |                          |
| • Connecting rail kit: modular 80 (on the left) to ProThermetic tilting (on the right), ProThermetic stationary (on the left) to ProThermetic (on the right) | PNC 912971 | <input type="checkbox"/> |                                                                                                                                                                                                                                                                                 |            |                          |
| • Connecting rail kit: modular 80 (on the right) to ProThermetic tilting (on the left), ProThermetic stationary (on the right) to ProThermetic (on the left) | PNC 912972 | <input type="checkbox"/> |                                                                                                                                                                                                                                                                                 |            |                          |
| • Endrail kit, flush-fitting, left                                                                                                                           | PNC 913109 | <input type="checkbox"/> |                                                                                                                                                                                                                                                                                 |            |                          |
| • Endrail kit, flush-fitting, right                                                                                                                          | PNC 913110 | <input type="checkbox"/> |                                                                                                                                                                                                                                                                                 |            |                          |
| • Endrail kit (12.5mm) for thermaline 80 units, left                                                                                                         | PNC 913200 | <input type="checkbox"/> |                                                                                                                                                                                                                                                                                 |            |                          |
| • Endrail kit (12.5mm) for thermaline 80 units, right                                                                                                        | PNC 913201 | <input type="checkbox"/> |                                                                                                                                                                                                                                                                                 |            |                          |
| • Stainless steel side panel, left, H=700                                                                                                                    | PNC 913214 | <input type="checkbox"/> |                                                                                                                                                                                                                                                                                 |            |                          |
| • Stainless steel side panel, right, H=700                                                                                                                   | PNC 913215 | <input type="checkbox"/> |                                                                                                                                                                                                                                                                                 |            |                          |
| • T-connection rail for back-to-back installations without backsplash (to be ordered as S-code)                                                              | PNC 913227 | <input type="checkbox"/> |                                                                                                                                                                                                                                                                                 |            |                          |
| • Insert profile D=800mm                                                                                                                                     | PNC 913230 | <input type="checkbox"/> |                                                                                                                                                                                                                                                                                 |            |                          |
| • Perforated shelf for warming cabinets and cupboard bases (one-side operated TL80-85-90 and two-side operated for TL80)                                     | PNC 913234 | <input type="checkbox"/> |                                                                                                                                                                                                                                                                                 |            |                          |
| • Energy optimizer kit 32A - factory fitted                                                                                                                  | PNC 913247 | <input type="checkbox"/> |                                                                                                                                                                                                                                                                                 |            |                          |
| • Endrail kit, (12.5mm), for back-to-back installation, left                                                                                                 | PNC 913249 | <input type="checkbox"/> |                                                                                                                                                                                                                                                                                 |            |                          |
| • Endrail kit, (12.5mm), for back-to-back installation, right                                                                                                | PNC 913250 | <input type="checkbox"/> |                                                                                                                                                                                                                                                                                 |            |                          |
| • Endrail kit, flush-fitting, for back-to-back installation, left                                                                                            | PNC 913253 | <input type="checkbox"/> |                                                                                                                                                                                                                                                                                 |            |                          |
| • Endrail kit, flush-fitting, for back-to-back installation, right                                                                                           | PNC 913254 | <input type="checkbox"/> |                                                                                                                                                                                                                                                                                 |            |                          |
| • Side reinforced panel only in combination with side shelf, for freestanding units                                                                          | PNC 913258 | <input type="checkbox"/> |                                                                                                                                                                                                                                                                                 |            |                          |

Front

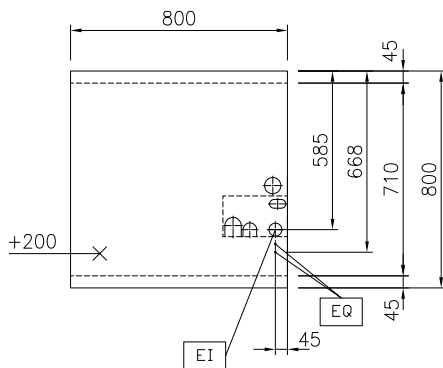


Side



EI = Electrical inlet (power)  
 EQ = Equipotential screw

Top



### Electric

Supply voltage: 400 V/3N ph/50/60 Hz  
 Electrical power, max: 12 kW

### Key Information:

Working Temperature MIN: 100 °C  
 Working Temperature MAX: 450 °C  
 External dimensions, Width: 800 mm  
 External dimensions, Depth: 800 mm  
 External dimensions, Height: 700 mm  
 Storage Cavity Dimensions (width): 580 mm  
 Storage Cavity Dimensions (height): 330 mm  
 Storage Cavity Dimensions (depth): 740 mm  
 Net weight: 145 kg  
 Configuration: On Base; One-Side Operated  
 Front Plates Power: 3 - 3 kW  
 Back Plates Power: 3 - 3 kW  
 Solid top usable surface (width): 670 mm  
 Solid top usable surface (depth): 650 mm

### Sustainability

Current consumption: 26 Amps